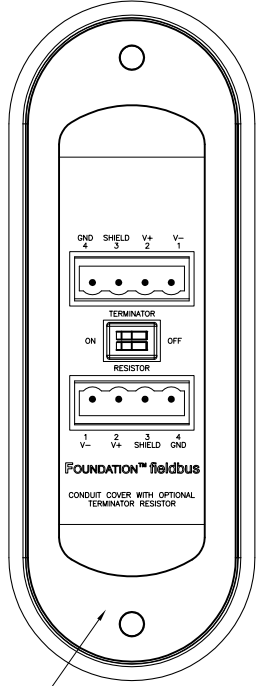
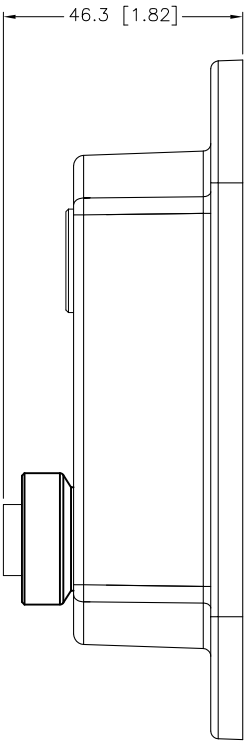
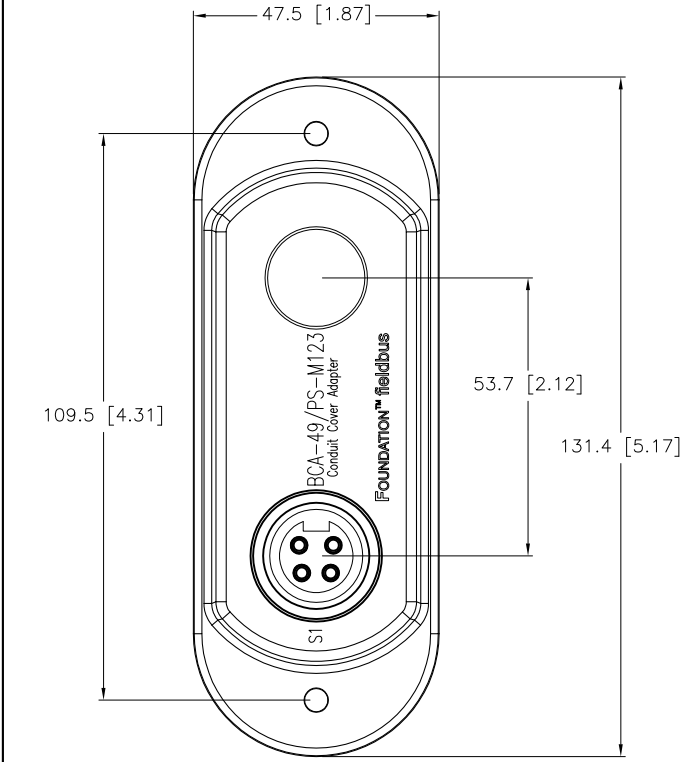
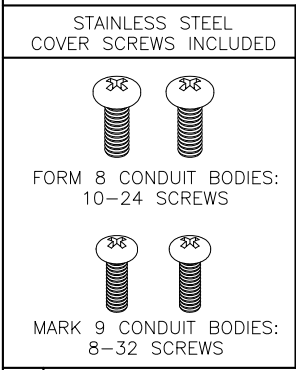
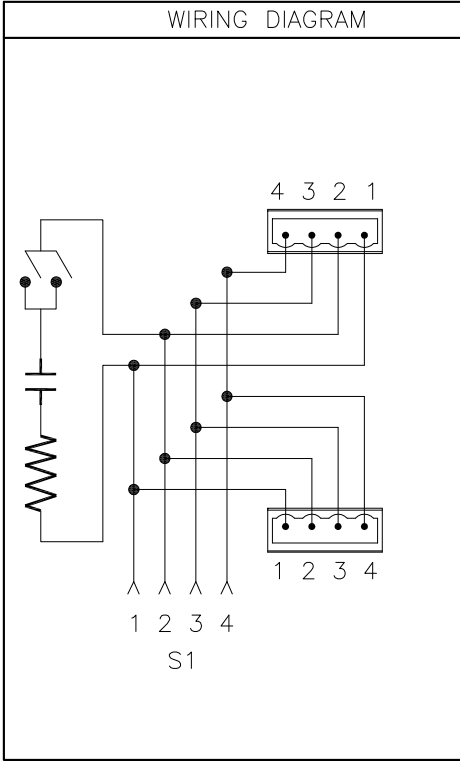


SPECIFICATIONS	
HOUSING MATERIAL/COLOR	NYLON 66 - 33% GLASS FILLED/BLACK
RECEPTACLE HOUSING MATERIAL/FINISH	STAINLESS STEEL/PASSIVATED
CONTACT CARRIERS/COLOR	TPU/BLACK
CONTACT MATERIAL/PLATING	BRASS/GOLD
OPERATING VOLTAGE	300 V
OPERATING CURRENT	9.0 A PER CONDUCTOR
OPTIONAL TERMINATOR RESISTOR	1 OF 2 SWITCHES IN "ON" POSITION
PROTECTION CLASS to DIN 40050	IP 67 - ONLY WHEN ALL RECEPTACLES ARE COVERED WITH PLUGS OR CONNECTED
OPERATING TEMPERATURE	-40°C to +70°C (-40°F to +158°F)

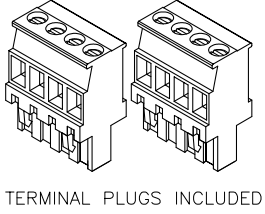


SEALING GASKET



NOTES:

1. "/PS" INDICATES SPECIAL GASKET FOR PVC COATED CONDUIT BODIES AND STAINLESS STEEL SCREWS.



SOURCE DRAWING - FOR REFERENCE ONLY

<p>RELATED DOCUMENTS</p> <ol style="list-style-type: none"> 1. 2. 3. 4. 		<p>3RD ANGLE PROJECTION</p>		<p>THIS DRAWING IS PROPERTY OF TURCK INC. USE OF THIS DOCUMENT WITHOUT WRITTEN PERMISSION IS PROHIBITED.</p>		<p>3000 CAMPUS DRIVE MINNEAPOLIS, MN 55441 1-800-544-7769 (763) 553-7300 (763) 553-0708 fax turck.com</p>	
<p>MATERIAL</p>		<p>DRFT RDS DATE 04/07/05</p>		<p>DESCRIPTION</p> <p>BCA-49/PS-M123</p>		<p>IDENTIFICATION NO.</p> <p>U8606-113</p>	
<p>FINISH</p>		<p>DSGN RDS SCALE 1=1.5</p>		<p>UNIT OF MEASUREMENT</p> <p>MILLIMETER [INCH]</p>		<p>REV</p> <p>C</p>	
<p>UPDATE MOUNTING HOLE DIMENSION</p>		<p>CK 04/28/11 34946</p>		<p>CONTACT TURCK FOR MORE INFORMATION</p>		<p>DO NOT SCALE THIS DRAWING</p>	
<p>REV DESCRIPTION</p>		<p>BY DATE ECO NO.</p>		<p>FILE: U8606-113</p>		<p>SHEET 1 OF 1</p>	